

OWNER'S MANUAL

ULTRA-SPRAY MODEL FT3300 WALL CLEANING TOOL MODEL FT3330



- **OPERATION**
- **MAINTENANCE**
- **TROUBLE SHOOTING**
- **REPAIR PARTS**

**READ THESE
INSTRUCTIONS
BEFORE USING**



IMPORTANT!

The symbol shown here is the safety-alert symbol. When this symbol appears in this manual or on the product, be alert for the potential for personal injury.

Always follow recommended precautions and safe operating procedures.

FAS-TRAK Ind. (800) 840-3162 Fax (708) 570-0653

www.fas-trakind.com

GROUNDING INSTRUCTIONS



WARNING

THIS PRODUCT MUST BE GROUNDED WHILE IN USE TO PROTECT THE OPERATOR FROM ELECTRICAL SHOCK!

In the event of a malfunction, grounding provides the path of least resistance for electric current to reduce the risk of electrical shock. This product is equipped with a power cord that has a grounding conductor and a grounding plug. The plug **MUST** be plugged into a matching electrical receptacle that is properly installed and grounded in accordance with **ALL** local codes and ordinances.



DANGER

DO NOT MODIFY THE PLUG PROVIDED.

If the plug will not fit the electrical receptacle, have the proper receptacle installed by a qualified electrician. Improper electrical connection of the equipment-grounding conductor can result in risk of electrical shock. The conductor with green insulation (with or without yellow stripes) is the equipment grounding conductor.

DO NOT connect the equipment-grounding conductor to a live terminal if repair or replacement of the power cord or plug is necessary.

Check with a qualified electrician or service personnel if you do not completely understand the grounding instructions, or if you are not sure the equipment is properly grounded.

USE ONLY A 3-WIRE EXTENSION CORD THAT HAS A 3-PRONG GROUNDING PLUG AND A 3-POLE RECEPTACLE THAT ACCEPTS THE POWER SUPPLY CORD'S PLUG. REPLACE A DAMAGED OR WORN CORD IMMEDIATELY.

This product is intended for use on a circuit that has an electrical receptacle with a grounding conductor as shown in Figure 1. If a properly grounded electrical receptacle is not available, an adapter (see Figure 2) can be used to **temporarily** connect this plug to a 2-contact ungrounded receptacle. The adapter has a rigid lug extending from it that **MUST** be connected to a permanent earth ground, such as a properly grounded receptacle box.

THIS ADAPTER IS PROHIBITED IN CANADA.

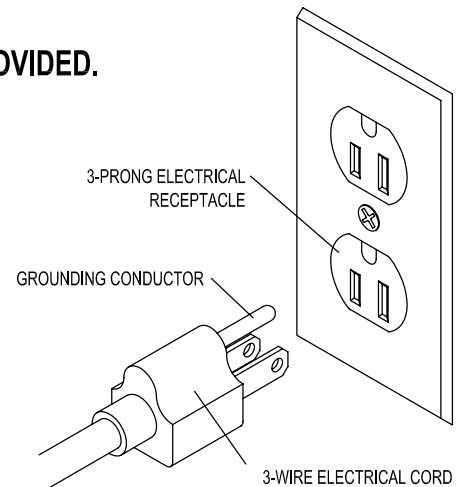


FIGURE 1

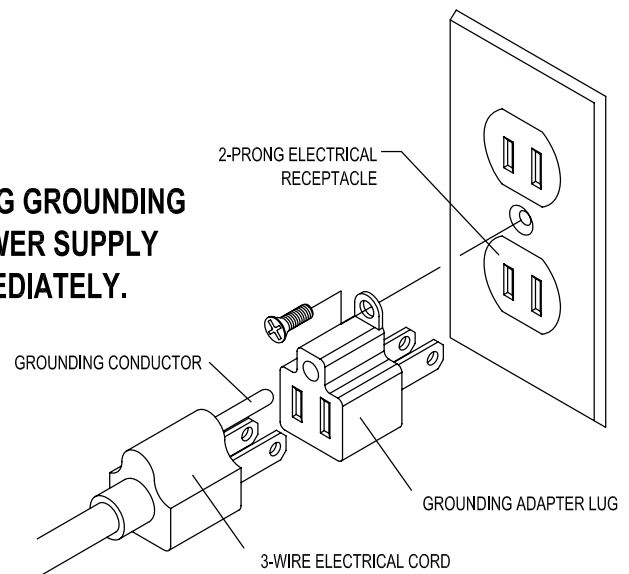


FIGURE 2



WARNING

In all cases, make certain the electrical receptacle is properly grounded. If you are not sure, have a certified electrician check the electrical receptacle.

RECEIVING THE EQUIPMENT

When unpacking, inspect the large shipping carton. It should contain:

- 1 Ultra-Spray unit
- 1 Handle Assembly
- 1 Spray Wand
- 1 Pail w/Lid

Inside Pail:

- 1 Suction hose assembly
- 1 Battery Charger
- 1 Spray Nozzle,
- 1 Nozzle Cap

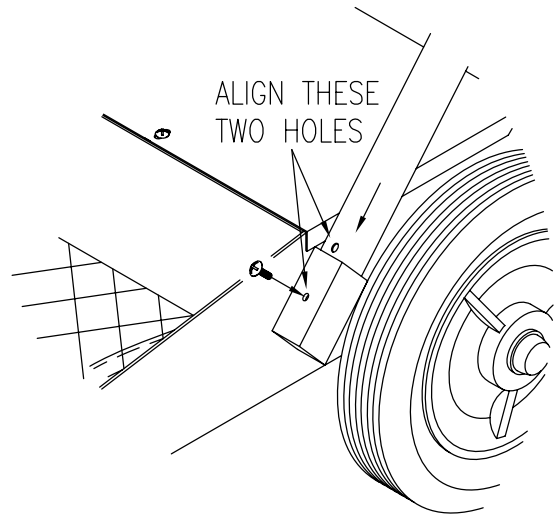


Fig 1

ASSEMBLY

1. Attach handle assembly to the base by removing the two screws that are towards each end of the handle. Slide the handle ends into the sockets that are on either side of the base until the screw holes align with the holes in the sockets. Reinstall the screws through the sockets and into the handle. See figure 1.
2. Remove the nozzle arm & elbow assembly that is taped to the frames crossmember and position as shown in figure 2. Attach with the thumb screws provided.
3. Attach the spray nozzle to the elbow using the nozzle cap. These items are found in the pail.

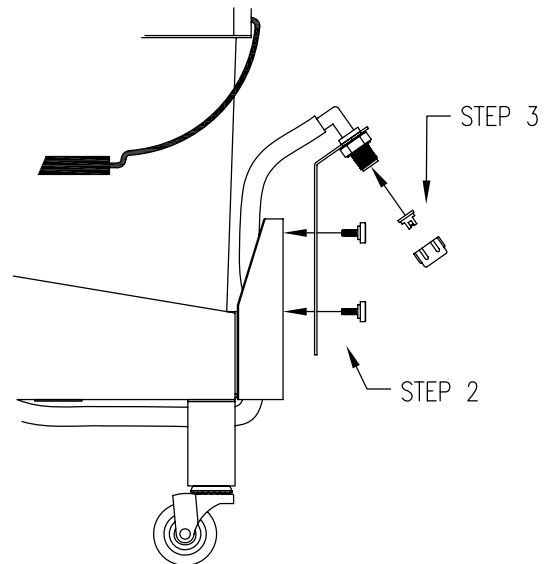
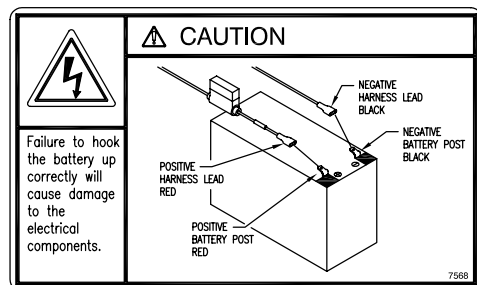


Fig 2

PREPARING FOR OPERATION

1. Make sure battery is hooked up and fully charged. Access is under the cover which can be removed by removing the 3 phillips screw holding the cover on. Refer to decal in fig 3 for proper hookup.



Battery Hook-Up Decal

Fig 3

ULTRA-SPRAY OPERATION

The rocker switch on the rear of the unit turns the pump on and off. The switch will be illuminated when in the “on” position. The pump is an “on demand” pump and will only run when there is flow from one of the nozzles even though the switch is in the on position. When finished spraying make sure the switch is turned off to ensure maximum battery life.

Fill the container with the desired solution. Turn the handle valve either to the front sprayer position or the hand wand position. Position the unit at the desired starting point and turn the power switch on.

If using the front spray nozzle adjust the width of the desired spray by moving the nozzle up or down in the slot. To move the nozzle loosen the hex nut behind the spray nozzle. Hand tighten when in the desired position.

After spraying, rinse the unit thoroughly to remove and chemicals.

IMPORTANT: Never store the unit in freezing conditions with fluid in the system. Unit can be winterized by pumping a 50/50 mixture of water and anti-freeze through the entire system.

ULTRA-SPRAY BATTERY CHARGING

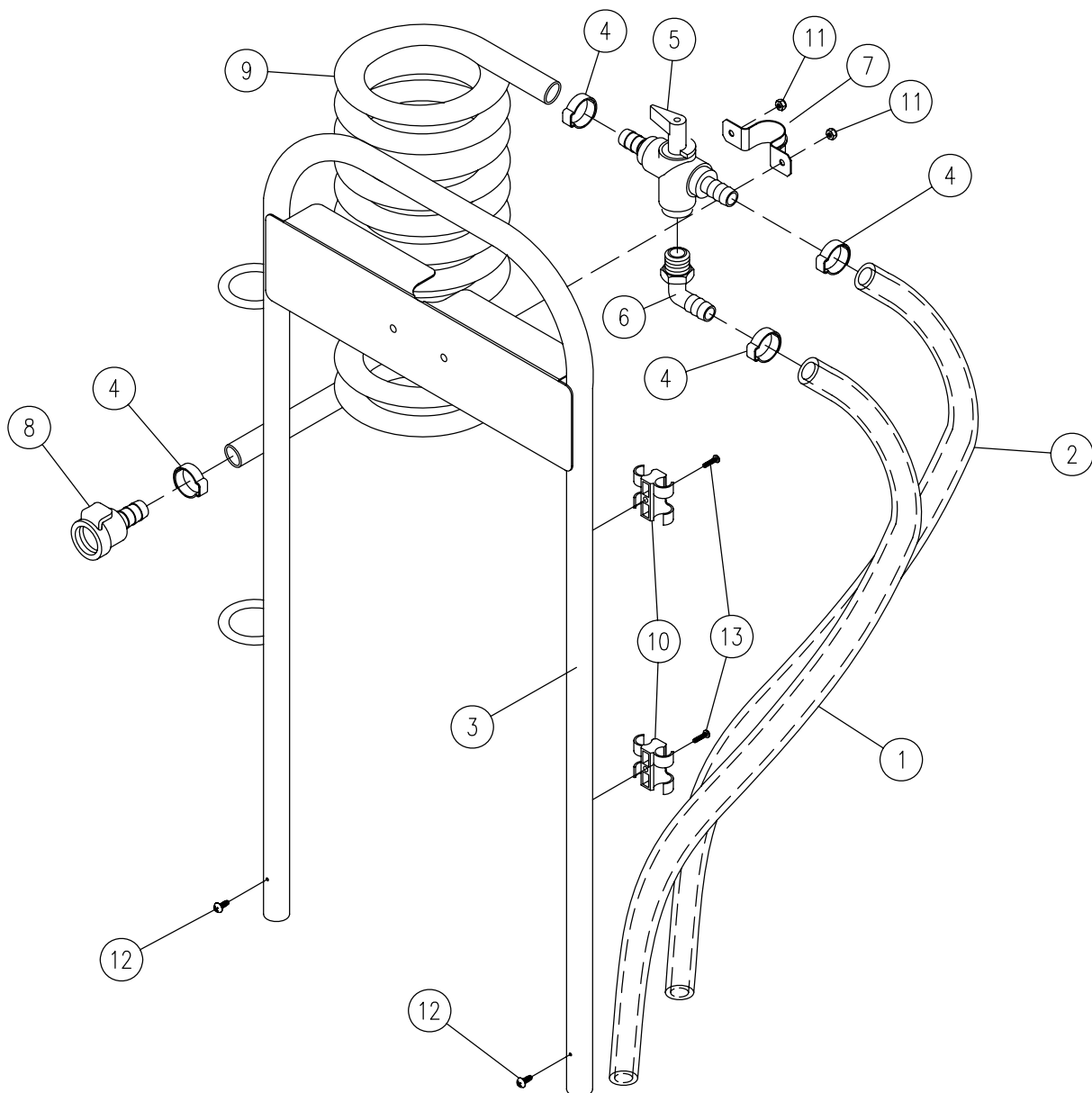
The charger supplied with the unit is an automatic type that will prevent overcharging of the battery. Upon initial start-up the battery should be charged until fully charged. Charging should be done as follows:

1. Plug charger into a 110 volt ac outlet.
2. Insert the charger jack into the receptacle at the rear of the unit. The red “charging” light on the charger will indicate that the unit is being charged.
3. When the charging is complete the green “charging” indicator light on the charger will indicate that charging is complete.

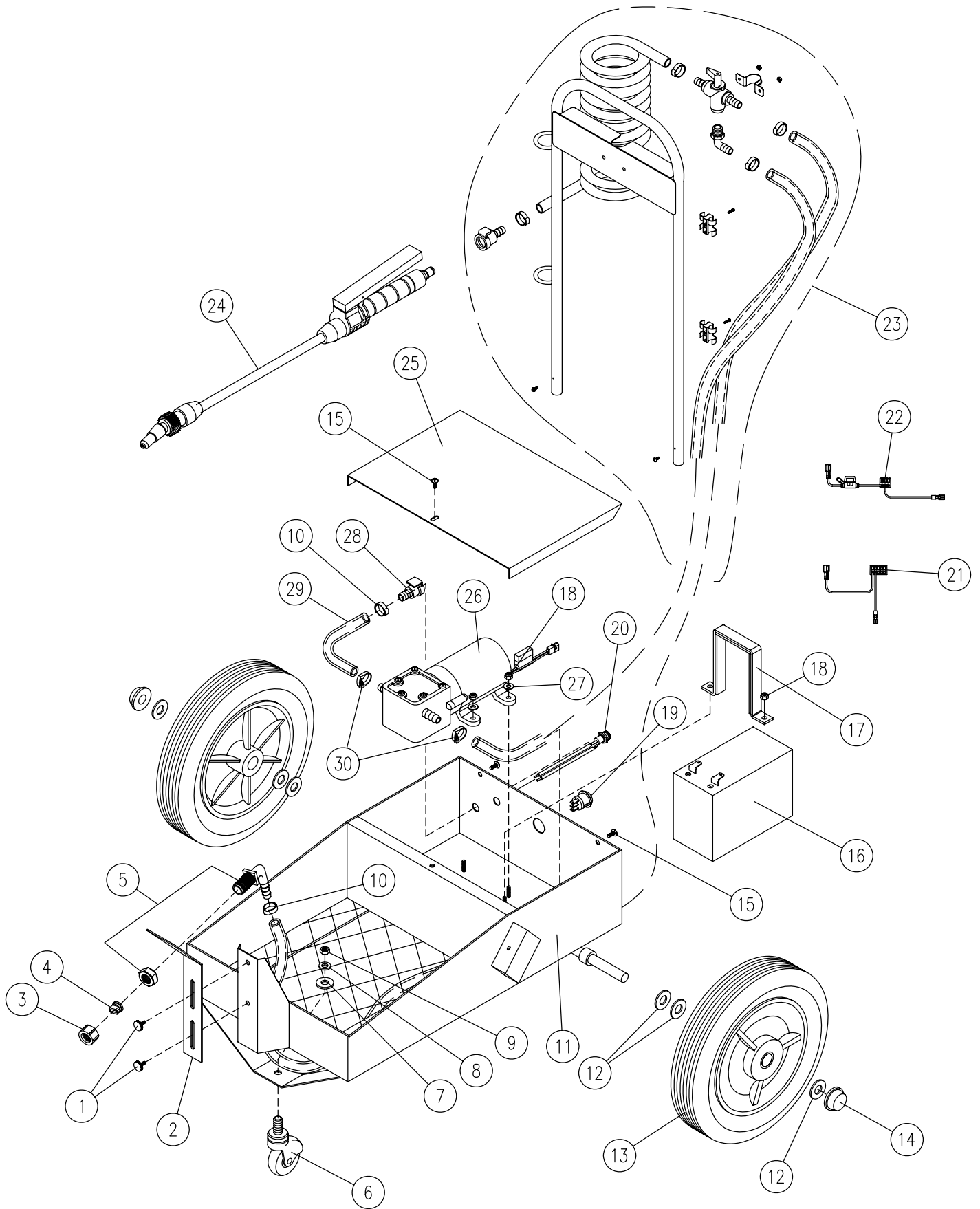
NOTE: The charger is designed to protect the battery from overcharging even if left on for an extended period, however it is good practice to disconnect the charger from the unit when the indicator light shows a full charge.

IMPORTANT: The battery should be recharged after every use - if the battery should become fully discharged, it will be necessary to re-charge it using a 12 volt dc (10 amp max.) automotive type charger.

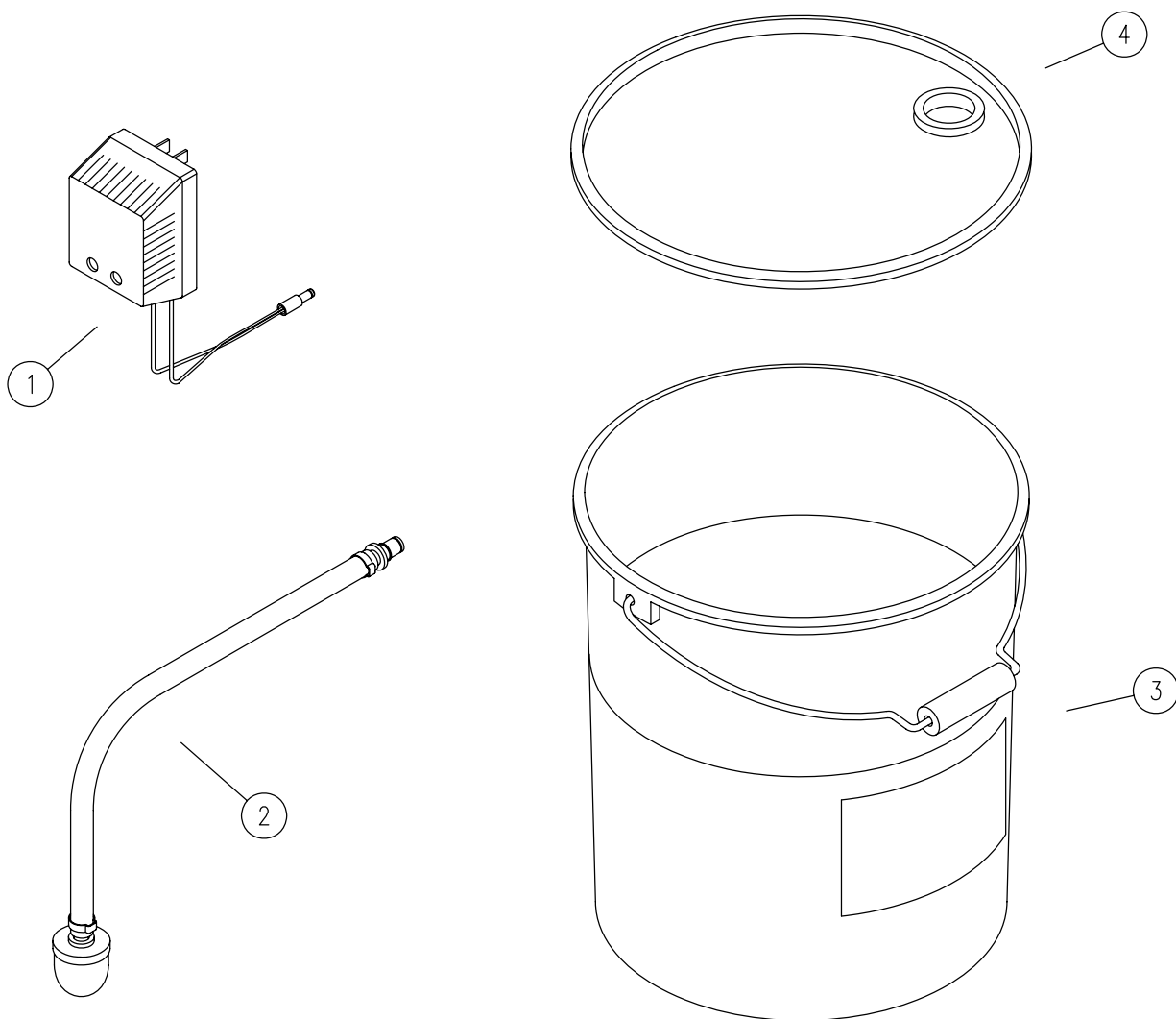
Key	Part No.	Req'd	Description
01	5636	1	HOSE CLEAR 45" LG
02	7869	1	HOSE CLEAR 65" LG
03	8069	1	HANDLE WDMT ULTRA-SPRAY
04	5640	4	HOSE CLAMP METAL 3/8
05	7896	1	VALVE 3 WAY 1/4 NPT x 3/8 BARB x 3/8 BARB
06	5653	1	NYLON ELBOW 1/4 NPT x 3/8 BARB
07	7836	1	CONDUIT STRAP 1" EMT
08	7976	1	NYLON (F) CONN BARBED W/VALVE
09	7843	1	HOSE COILED 3/8 ID x 15'
10	7867	2	TWO CHANNEL PLASTIC STRAP
11	1807	2	LOCKNUT NYLON INSERT 8-32
12	2318	2	SCREW PPH #10 x 1/2 TYPE 25
13	7873	2	PFH SHT MTL SCREW #6 x 7/8



Key	Part No.	Req'd	Description
01	3735	2	Locking Knob Asy
02	7919	1	Nozzle Arm
03	7845	1	Cap 11/16-18
04	7920	1	Nozzle 30 PSI
05	7839	1	Elbow 11/16-18 x 3/8 Barb
06	6208	1	Caster
07	5586	1	Flatwasher 5/16
08	1080	1	Lockwasher 5/16
09	1090	1	Hex Nut 5/16-18
10	5640	2	Hose Clamp Metal 3/8
11	8067	1	Base Weldment
12	5596	6	Flatwasher 1/2 SAE
13	7844	2	Wheel 10" dia x 1.75
14	6039	2	Cap Nut 1/2"
15	1072	3	Screw PTH 10-32 x 1/2
16	6456	1	Battery 12 Volt 7 Amp Hour
17	7597	1	Battery Hold Down
18	2449	6	Locknut 10-32
19	7749	1	Switch SPST On-Off
20	7872	1	Harness, Battery Charger Socket
21	7895	1	Harness Black
22	7661	1	Harness Red
23	7871	1	Handle Asy
24	7929	1	Spray Gun Asy
25	8068	1	Cover
26	7835	1	Pump Asy
27	1075	4	Flatwasher #10
28	5662	1	Quick Disconnect (F)
29	5633	1	Hose Clear 8" Long
30	5801	2	Hose Clamp 5/8" Plastic
31	6058	1	Decal Serial Number
32	7837	1	Decal Ultra-Spray
33	7851	1	Decal Sprayer Valve Front
34	7851-W	1	Decal Sprayer Valve Wand
35	7894-CSM	1	Decal Fas-Trak Small

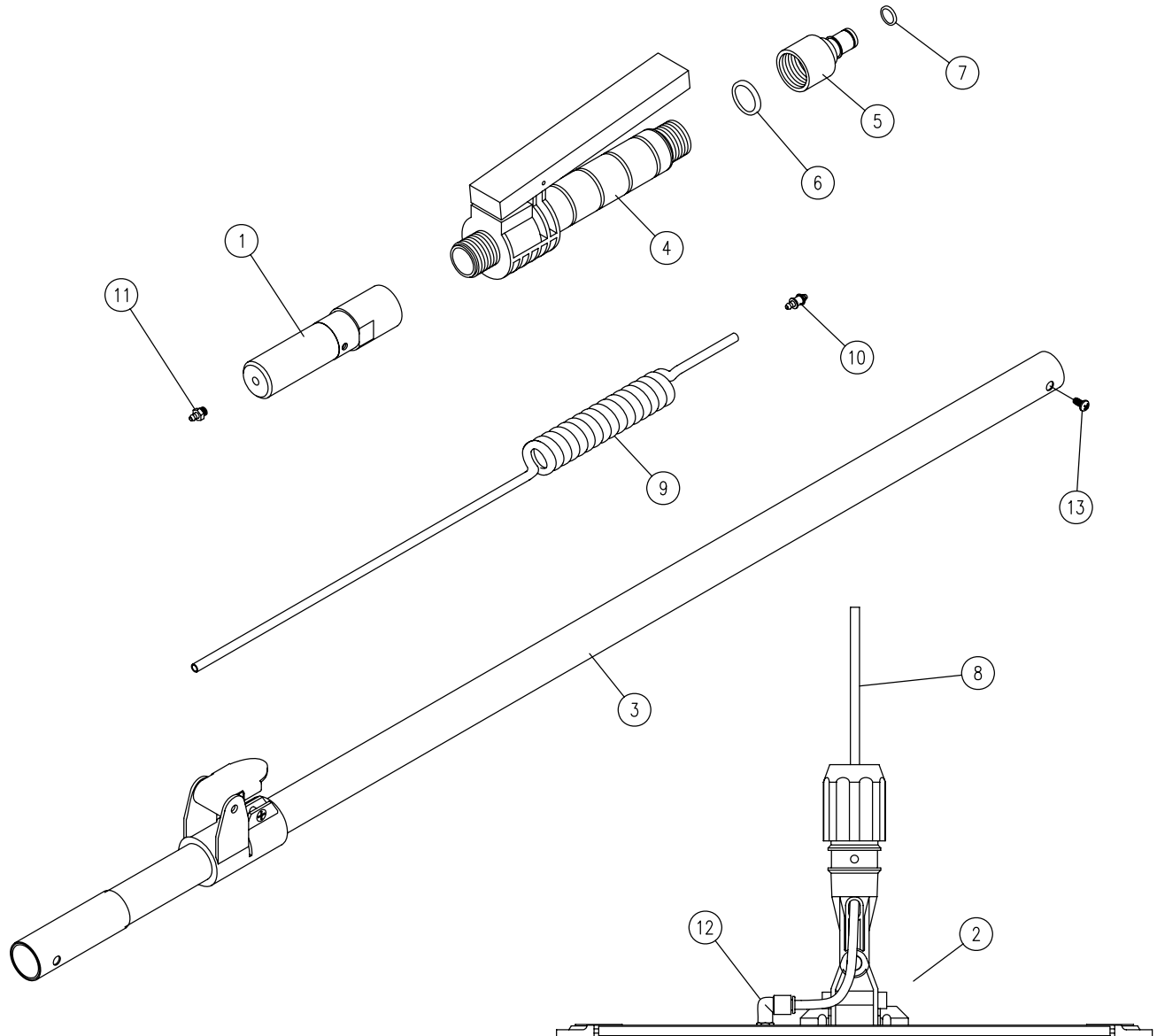


Key	Part No.	Req'd	Description
01	7848	1	Battery Charger 12V 1000mA w/#7852 Leads
02	7868	1	Suction Hose Asy
03	5641	1	Pail
04	7660	1	Lid w/Pour Spout



WALL CLEANING TOOL MODEL FT 3330

Key	Part No.	Req'd	Description
01	8053	1	TELESCOPING HANDLE ADAPTER
02	8056	1	WCT BASE PLATE MODIFIED
03	8057	1	TELESCOPING HANDLE MODIFIED
04	8122	1	SPRAY GUN BODY ONLY
05	7948	1	COLDER WAND ADAPTER
06	7949	1	O-RING 1/16 x 5/8 x 3/4
07	7950	1	O-RING 1/16 x 5/16 x 7/16
08	8046	1	TUBING 6MM OD x 4MM ID x 480MM
09	8047	1	COILED HOSE .092 ID x 35 WRAPS
10	8049	1	REDUCTION CONNECTOR 1/8 TO 3/32
11	8050	1	10-32 UNF TO 3/32 ADAPTER
12	8051	1	90° CONNECTOR FITTING 1/8 NPT x 6MM
13	4911	1	SCREW BHSCS 8-32 x 1/4



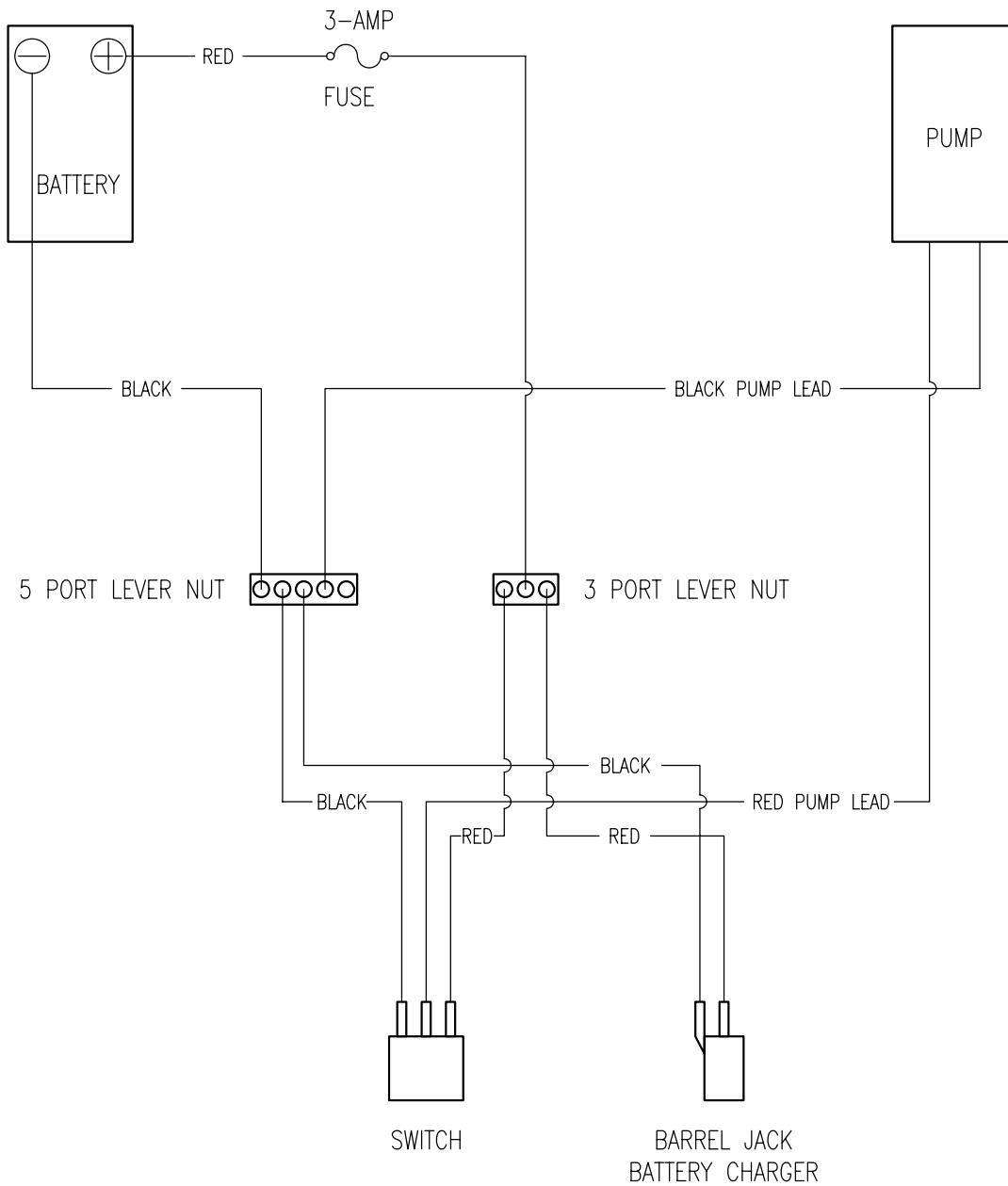
BATTERY MAINTENANCE FOR EXTENDED STORAGE

If a battery is left for a long period in a discharged or partially charged state or is never fully recharged, it can result in a loss of capacity. Make sure that the battery is fully charged on most cycles.

>>Simple Guidelines<<

- Most manufacturers recommend that batteries should be charged for a minimum of 5 hours.
- Always fully charge a battery before storing especially for an extended period of time.
- If storing for an extended period of time periodically charge the battery, ideally on a monthly basis.
- The on-board charger in the Ultra-Trak can be left on for an indefinite period of time because when the battery is fully charged the charger switches to a maintenance state thereby keeping the battery at it's optimum state of charge.

ULTRA-SPRAY WIRING SCHEMATIC



FAS-TRAK Ind. (800) 840-3162 Fax (708) 570-0653

www.fas-trakind.com