

# **OWNER'S MANUAL**

## **ULTRA-DRY**

### **MODEL FT 8000**



- **OPERATION**
- **MAINTENANCE**
- **TROUBLE SHOOTING**
- **REPAIR PARTS**

**READ THESE  
INSTRUCTIONS  
BEFORE USING**



### **IMPORTANT!**

The symbol shown here is the safety-alert symbol. When this symbol appears in this manual or on the product, be alert for the potential for personal injury.

Always follow recommended precautions and safe operating procedures.

**FAS-TRAK Ind. (800) 840-3162 Fax (708) 570-0653**

[www.fas-trakind.com](http://www.fas-trakind.com)

## GROUNDING INSTRUCTIONS



# WARNING

**THIS PRODUCT MUST BE GROUNDED WHILE IN USE TO PROTECT THE OPERATOR FROM ELECTRICAL SHOCK!**

In the event of a malfunction, grounding provides the path of least resistance for electric current to reduce the risk of electrical shock. This product is equipped with a power cord that has a grounding conductor and a grounding plug. The plug **MUST** be plugged into a matching electrical receptacle that is properly installed and grounded in accordance with **ALL** local codes and ordinances.



# DANGER

**DO NOT MODIFY THE PLUG PROVIDED.**

If the plug will not fit the electrical receptacle, have the proper receptacle installed by a qualified electrician. Improper electrical connection of the equipment-grounding conductor can result in risk of electrical shock. The conductor with green insulation (with or without yellow stripes) is the equipment grounding conductor.

**DO NOT** connect the equipment-grounding conductor to a live terminal if repair or replacement of the power cord or plug is necessary.

Check with a qualified electrician or service personnel if you do not completely understand the grounding instructions, or if you are not sure the equipment is properly grounded.

**USE ONLY A 3-WIRE EXTENSION CORD THAT HAS A 3-PRONG GROUNDING PLUG AND A 3-POLE RECEPTACLE THAT ACCEPTS THE POWER SUPPLY CORD'S PLUG. REPLACE A DAMAGED OR WORN CORD IMMEDIATELY.**

This product is intended for use on a circuit that has an electrical receptacle with a grounding conductor as shown in Figure 1. If a properly grounded electrical receptacle is not available, an adapter (see Figure 2) can be used to **temporarily** connect this plug to a 2-contact ungrounded receptacle. The adapter has a rigid lug extending from it that **MUST** be connected to a permanent earth ground, such as a properly grounded receptacle box.

**THIS ADAPTER IS PROHIBITED IN CANADA.**

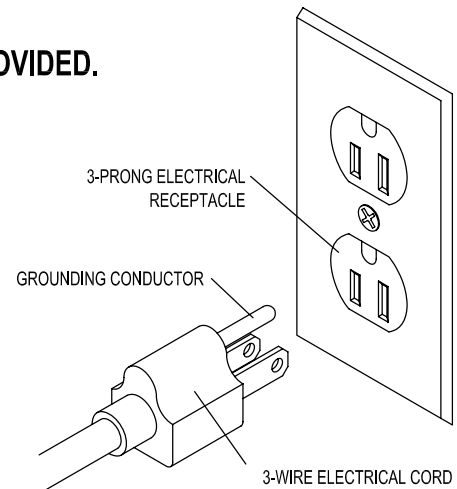


FIGURE 1

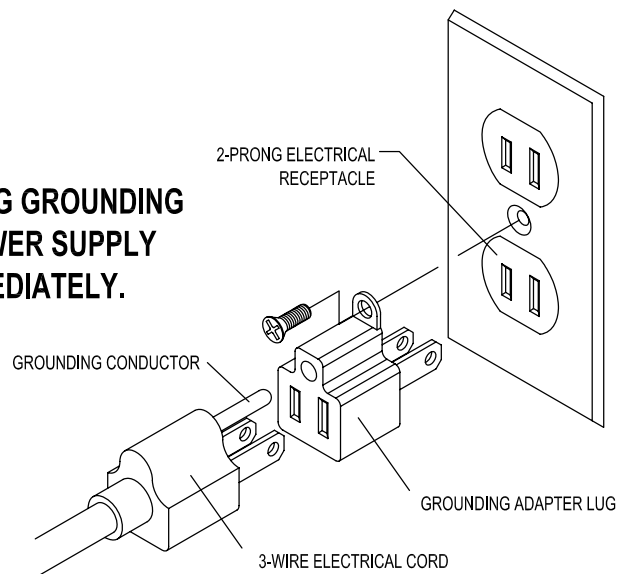


FIGURE 2



# WARNING

**In all cases, make certain the electrical receptacle is properly grounded. If you are not sure, have a certified electrician check the electrical receptacle.**

## **RECEIVING THE EQUIPMENT**

When unpacking, inspect the large shipping carton. It should contain:

- 1 Ultra-Dry unit
- 1 Broom & Dust Pan
- Inside Mop Bucket:
  - 1 Power Cord
  - 1 Manual

## **ASSEMBLY**

The Ultra-Dry unit comes fully assembled.

## **ULTRA-DRY OPERATION**

The left rocker switch on the handle turns the flashing caution light on. The right rocker switch on the handle turns the drying fan on. Both switches will be illuminated when in the “on” position.

## **ULTRA-DRY BATTERY CHARGING**

The charger supplied with the unit is an automatic type that will prevent overcharging of the battery. Upon initial start-up the battery should be charged until fully charged. Charging should be done as follows:

1. Plug charger into a 110 volt ac outlet.
2. Insert the power cord into the receptacle at the rear of the unit. The red “charging” light on the charger will indicate that the unit is being charged.
3. When the charging is complete the green “charging” indicator light on the charger will indicate that charging is complete.

**NOTE:** The charger is designed to protect the battery from overcharging even if left on for an extended period, however it is good practice to disconnect the charger from the unit when the indicator light shows a full charge.

**IMPORTANT:** The battery should be recharged after every use - if the battery should become fully discharged, it will be necessary to re-charge it using a 12 volt dc (10 amp max.) automotive type charger.

## **BATTERY MAINTENANCE FOR EXTENDED STORAGE**

If a battery is left for a long period in a discharged or partially charged state or is never fully recharged, it can result in a loss of capacity. Make sure that the battery is fully charged on most cycles.

### **>>Simple Guidelines<<**

- Most manufacturers recommend that batteries should be charged for a minimum of 5 hours.
- Always fully charge a battery before storing especially for an extended period of time.
- If storing for an extended period of time periodically charge the battery, ideally on a monthly basis.
- The on-board charger in the Ultra-Dry can be left on for an indefinite period of time because when the battery is fully charged the charger switches to a maintenance state thereby keeping the battery at it's optimum state of charge.

## BATTERY TRAY ACCESS

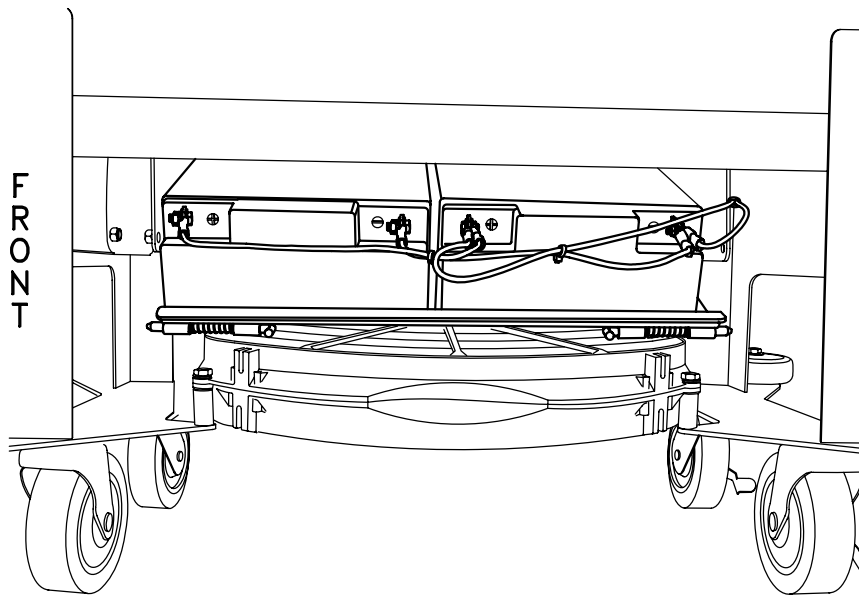
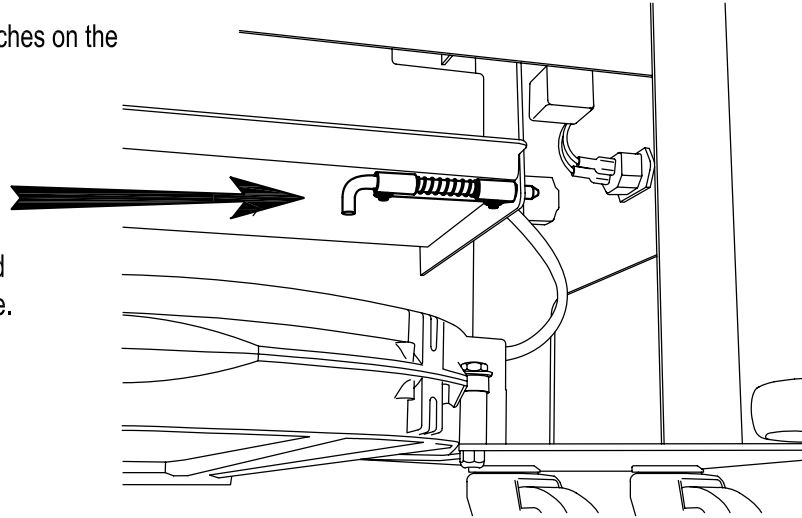
**CAUTION:** The battery tray is heavy. Use caution when opening to prevent injury to your fingers.

Before accessing the batteries both rocker switches on the handle should be OFF.

Battery access is on the left side of the unit.

Caution: The battery tray is heavy. Be prepared to lower it with care to prevent injury or damage.

To open the tray that holds the batteries disengage the 2 spring pins. The battery tray will then swing down to give access to the battery posts thereby allowing removal of the batteries.



BATTERY TRAY IN THE OPEN POSITION  
AS VIEWED FROM THE LEFT SIDE

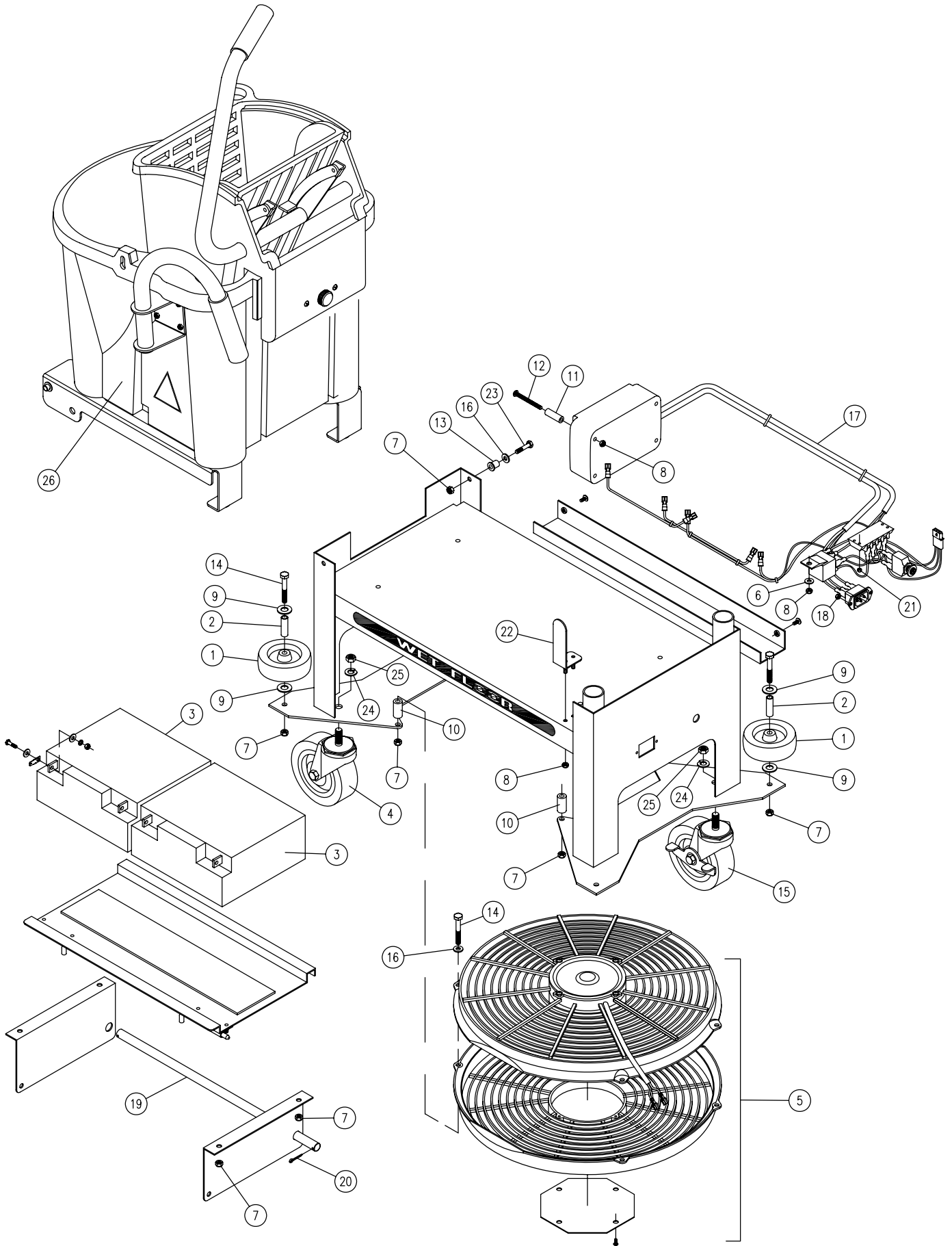
## ULTRA-DRY HANDLE ASSEMBLY

No.	Part No.	Description	Req'd
01	F-7718	CONTROL PANEL COVER	1
02	F-7724	BROOM BRACKET	1
03	F-8062	CAUTION PANEL W/DECAL	1
04	F-7719	CABLE CLAMP	1
05	F-7720	FLASHER	1
06	F-7776	LIGHT MODIFIED	1
07	F-7722	GROMMET	1
08	F-7773	TUBE CONNECTOR SINGLE BUTTON	2
09	F-7749	SWITCH ON-OFF	2
10	F-7750	BROOM CLIP	1
11	F-1071	SCREW PTH 10-32 X 3/8	8
12	F-1072	SCREW PTH 10-32 X 1/2	2
13	F-1086	HEX NUT 10-32	2
14	F-2449	LOCKNUT NYLON INSERT 10-32	1
15	F-7737	SCREW PFH 8-32 X 1/2	2
16	F-7876	DECAL LIGHT	1
17	F-7877	DECAL FAN	1
18	F-1078	LOCKWASHER #10 INTERNAL TOOTH	2
19	F-1807	LOCKNUT NYLON INSERT 8-32	2

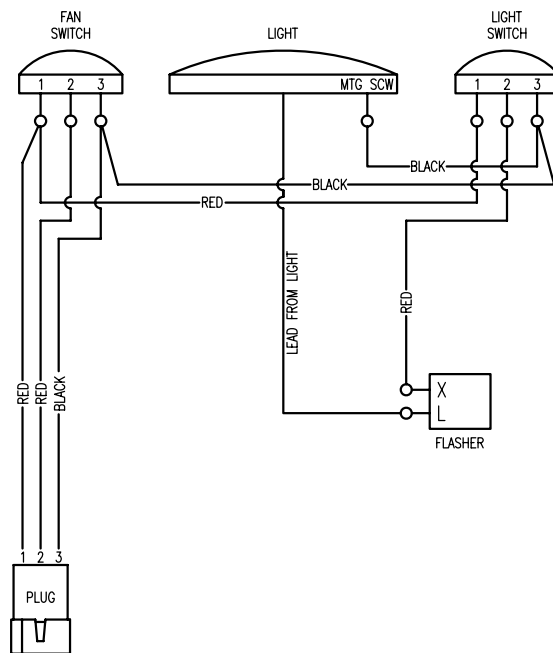


## ULTRA-DRY BASE ASSEMBLY

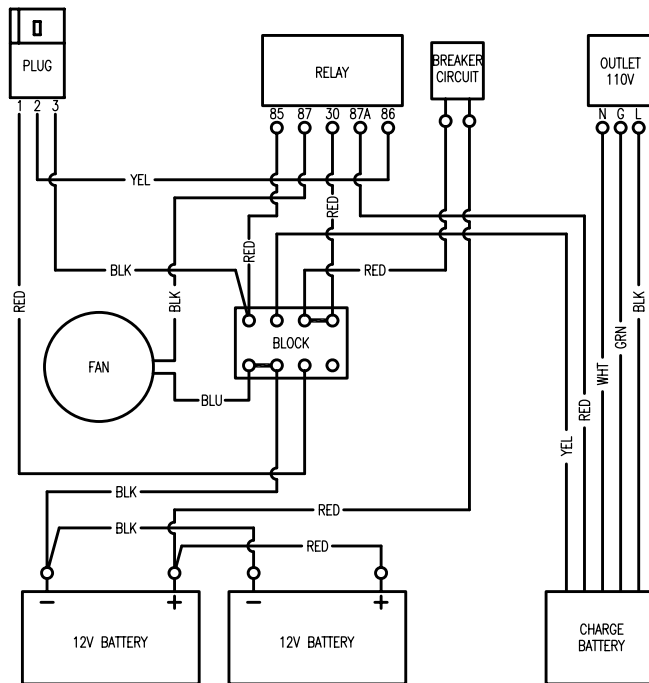
No.	Part No.	Description	Req'd
01	F-7706	BUCKET WHEEL	4
02	F-2379	SPACER	4
03	F-7708	BATTERY 12V	2
04	F-7735	CASTER 4" X 1 1/4 POST SWIVEL	2
05	F-8061	FAN ASSEMBLY	1
06	F-1075	FLATWASHER #10	1
07	F-2395	LOCKNUT NYLON INSERT 1/4-20	14
08	F-2449	LOCKNUT NYLON INSERT #10	11
09	F-4907	FLATWASHER 3/8	8
10	F-7761	SPACER 1/2 OD X .257 ID X 1" NYLON	4
11	F-7765	SPACER 3/8 OD X 1.97 ID X 1 1/8 NYLON	4
12	F-7766	SCREW PPH 10-32 X 2	4
13	F-7905	BUSHING .375 OD X .250 ID	2
14	F-7736	HEX CAPSCREW 1/4-20 X 1 3/4	8
15	F-7762	CASTER 4 X 1 1/4 POST SWIVEL W/BRAKE	2
16	F-1076	FLATWASHER 1/4	6
17	F-7770	HARNESS BASE	1
18	F-1084	LOCKNUT NYLON INSERT 6-32	2
19	F-7703	BATTERY TRAY ROD	1
20	F-7487	COTTER PIN 1/8 x 3/4	2
21	F-1032	LOCKNUT NYLON INSERT 4-40	2
22	F-7725	BROOM STOP	1
23	F-7486	HEX CAPSCREW 1/4-20 x 1	2
24	F-7488	LOCKWASHER 3/8 SPLIT	4
25	F-7707	HEX NUT 3/8-16	4
26	F-7743	BUCKET & WRINGER ASSEMBLY	1
27	F-5802	SLIDE LATCH LH	1
28	F-7699	SLIDE LATCH RH	1



# ULTRA-DRY WIRING SCHEMATIC



HANDLE WIRING DIAGRAM



BASE WIRING DIAGRAM

**FAS-TRAK Ind. (800) 840-3162 Fax (708) 570-0653**

[www.fas-trakind.com](http://www.fas-trakind.com)